

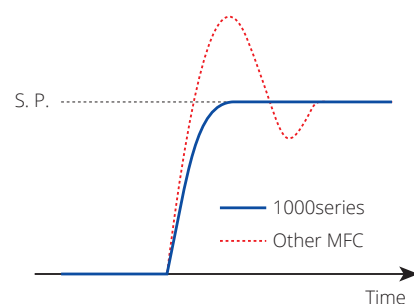
Economical Mass Flow Controller

1000Series



Features

- Economical mass flow controllers for gas
- Cost effective and easy to use
- Control gas mass flow rates to 20 SLM
- Negligible flow surge
- 0-5 Volt setpoint and flow signals



*Prevents flow surge in the initiation of the mass flow control operation.

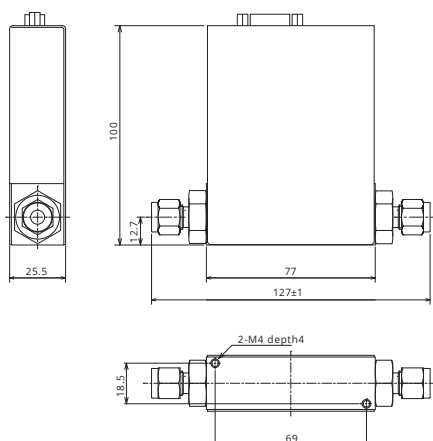
Specification

Model	C1000 (Mass flow controller) / M1000 (Mass flow meter)
Gases	Most gases (e.g., air, nitrogen, carbon dioxide, argon, hydrogen, helium, methane, oxygen)
Valve type	Normally Open
Flow range*	10SCCM-20SLM
Flow rate control range	5-100% F. S.
Accuracy	±2%F. S. (Accuracy guaranteed between 15-35°C)
Repeatability	±0.2%F. S.
Response speed	less than 6sec
Operating differential pressure	50-300kPa
Pressure Resistance	1MPa (G)
Leak Integrity	1×10 ⁻⁷ Pa·m ³ /sec (He)
Operating temperature	5-50°C less than 85% RH
Wetted surface material	SUS316, PTFE, Fluoro-Rubber
Seal material	Fluoro-Rubber
Setting signal	0.25-5VDC
Output signal	0-5VDC
Standard fitting**	1/4in. SWL (equivalent), One-touch fittings
Drive power source	+15VDC ±5% 60mA, -15VDC ±5% 150mA
Communication	Analog 0-5VDC
Connector	9pin D-sub male

* At FCON, flow rates (SCCM, SLM) are converted to values at 0°C, 101.3kPa abs (1atm) for calibration.

** For other fitting, please contact us.

Dimensions

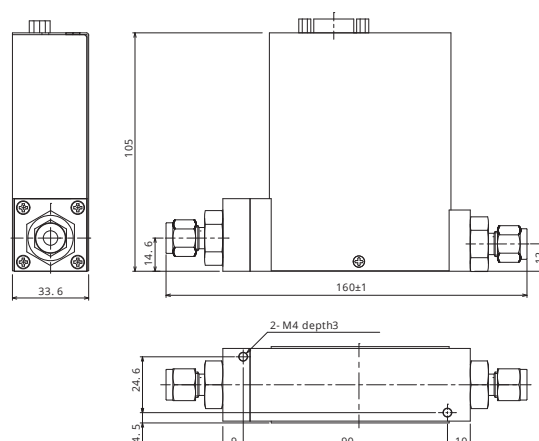


C1005/M1005

Face to face dimensions

1/4in. SWL (equivalent) : 127mm

One-touch fittings : 137mm



C1020/M1020

Face to face dimensions

1/4in. SWL (equivalent) : 160mm

One-touch fittings : 169mm

Ordering

C **1005** – **4F2** – **1L** – **N2**

1 2 3 4 5

1. Type

C : Mass flow controller
M : Mass flow meter

2. Series

1005 : 10SCCM - 5SLM
1020 : 10SCCM - 20SLM

3. Fitting*

4S2 : 1/4in. SWL (equivalent)
KQ2 : One-touch fittings

4. Full scale

Example : 50 (50SCCM)
Example : 5L (5SLM)

5. Gas types

Example : N2

*Consult factory for other fittings.